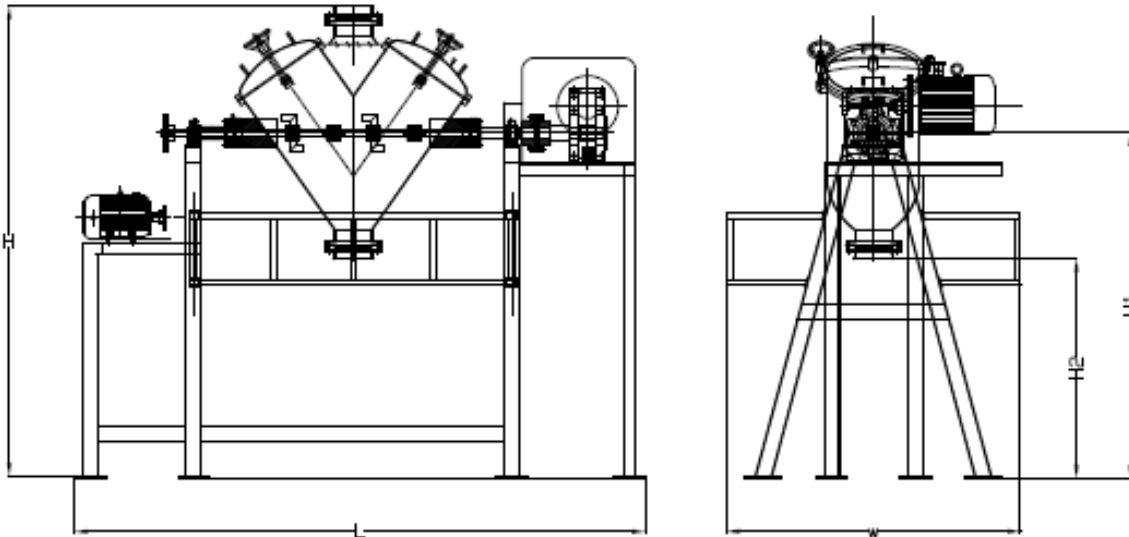


VCB Blender Specifications and Dimensions



STANDARD FEATURES

- V shaped design in 316 stainless steel construction
- Manually operated Butterfly valve for discharge 24" discharge clearance
- Hinged stainless steel charging openings
- Mirror finish on interior surfaces
- 150 grit finish on exterior surfaces
- Non-stainless steel components are finished with a durable two-component paint.
- Safety railings with limit switches
- Intensifier bars are included
- Drive motors are of TEFC design for 230/460 volt , 3 ph, 60 Hz operation
- Complete control panels with pushbuttons and E-stops are provided

VCB Blender Model	Full Holding		Working Capacity		HP	RPM	Overall Dimensions				
	Cu. Ft.	Liters	Cu. Ft.	Liters			Length L	Width W	Height H	H1	H2
VCB 0.25	0.5	14.2	0.25	7.1	0.50	36	32.0	30.0	40.0	28.0	18.0
VCB 0.5	1.0	28.3	0.5	14.2	0.75	36	60.0	32.0	48.0	36.0	22.0
VCB 1	2.0	56.6	1.0	28.3	1.5	24	70.0	43.0	52.0	38.2	22.0
VCB 5	10.0	283.2	5.0	141.6	3.0	20	95.0	63.0	98.4	65.0	36.0
VCB 7.5	15.0	424.8	7.5	212.4	5.0	20	100.4	60.0	102.4	68.0	36.0
VCB10	20.0	566.4	10.0	283.2	5.0	20	108.0	86.0	110.2	71.0	36.0
VCB15	30.0	849.6	15.0	424.8	7.5	18	126.0	98.0	118.0	83.0	36.0
VCB 20	40.0	1132.8	20.0	566.4	7.5	16	138.0	109.0	126.0	79.0	36.0
VCB 25	50.0	1416.0	25.0	708.0	10.0	12	149.0	118.0	134.0	83.0	36.0
VCB 30	30.0	849.6	15.0	424.8	12.5	12	158.0	120.0	140.0	85.0	36.0
VCB 50	100.0	2832.0	50.0	1416.0	15.0	12	189.0	138.0	162.0	98.0	36.0
VCB 75	150.0	4248.0	75.0	2124.0	30.0	8	204.7	138.0	177.2	106.0	36.0
VCB100	200.0	5664.0	100.0	2832.0	40.0	6	216.0	177.0	189.0	114.0	36.0



Charles Ross & Son Company

P.O.Box 12308, 710 Old Willets Path, Hauppauge, NY 11788 - Tel: 1-631-234-0500 - Fax: 1-631-234-0691

Website: www.mixers.com - Email: sales@mixers.com